

Angular Contact Ball Bearings

Bearing No. : **NACHI 7226CDF**

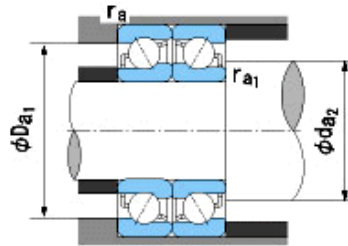
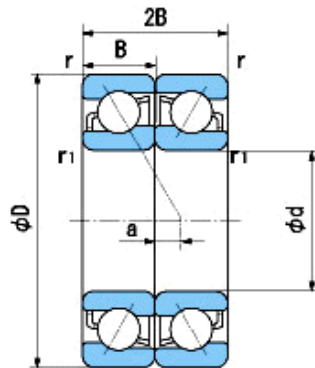
■ Bearing Type

■ Clearance

■ Tolerance Class

Dimensions

d = 130⁰_{-0.025}
 D = 230⁰_{-0.030}
 B = 40⁰_{0.000}
 r = 3~5
 (Radial Direction)
 r = 3~8
 (Axial Direction)
 r1 = 1.1~2.5
 (Radial Direction)
 r1 = 1.1~4
 (Axial Direction)
 a = 0.9



Dimensions

da1(min) = 144
 da2(min) = 144
 Da1(max) = 216
 Da2(max) = 223
 ra(max) = 2.5
 ra1(max) = 1
 Mass = 13.76 kg

Basic Dynamic Load Rating Cr :	350,000 N
Basic Static Load Rating Cor :	430,000 N
Limiting Speed ;	
Grease Lubrication :	3,500 min ⁻¹
Oil Lubrication :	4,900 min ⁻¹

	INNER RING	OUTER RING
O.D.Surface Runout with Side :		-
Axial Runout with Bore :	-	
Axial Runout with Raceway :	-	
Width Variation :	0.030	0.030
Radial Runout :	0.030	0.050